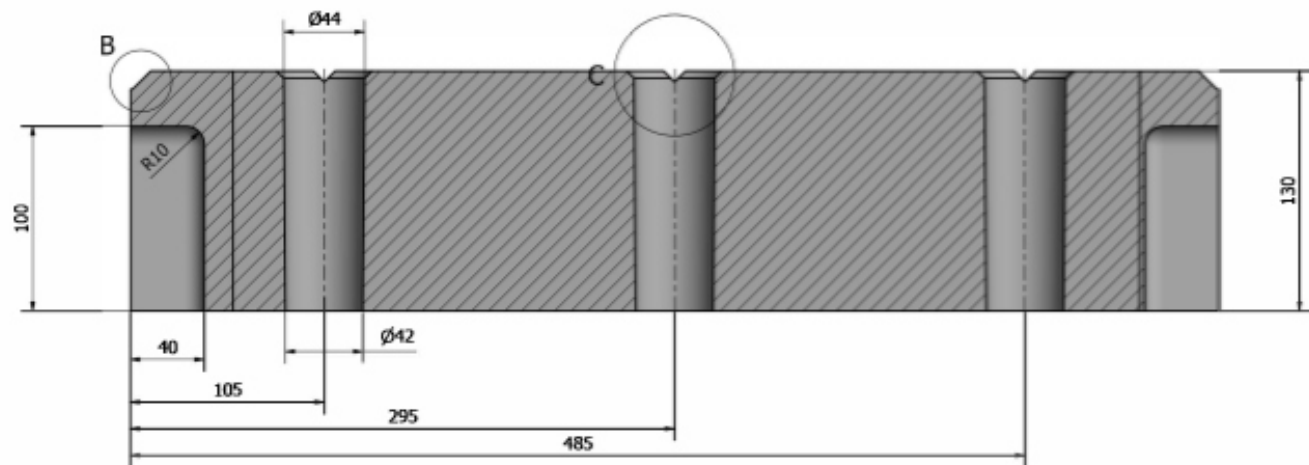
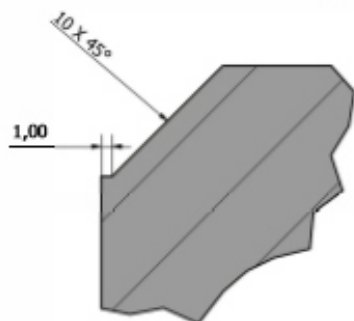


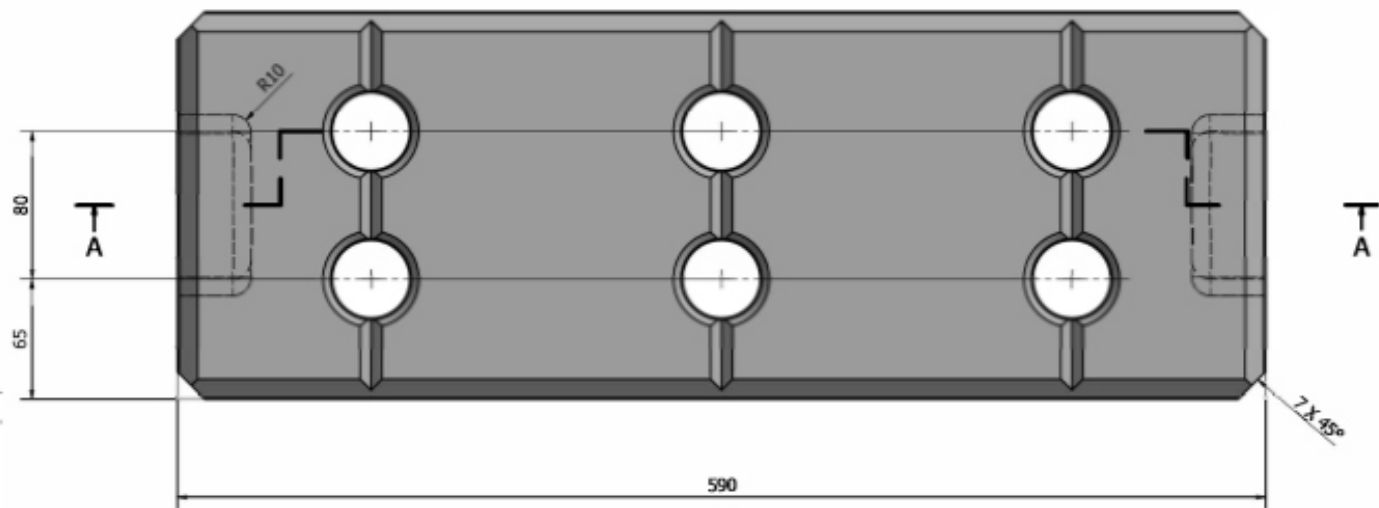
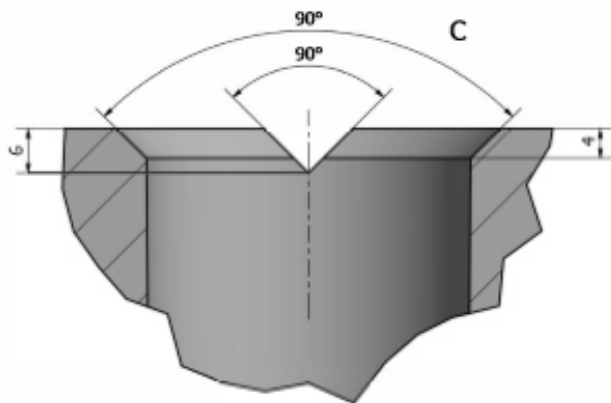
A-A (1:2)



B



C



Bernfjord.DE
Absperrung Bauzaun

Finish:	Betonfuss: Betonfuss Standard	CODE: 1094	
	Tolerance: 45%		Drawn:
	Weight: 31 kg		Date: 08-09-2014